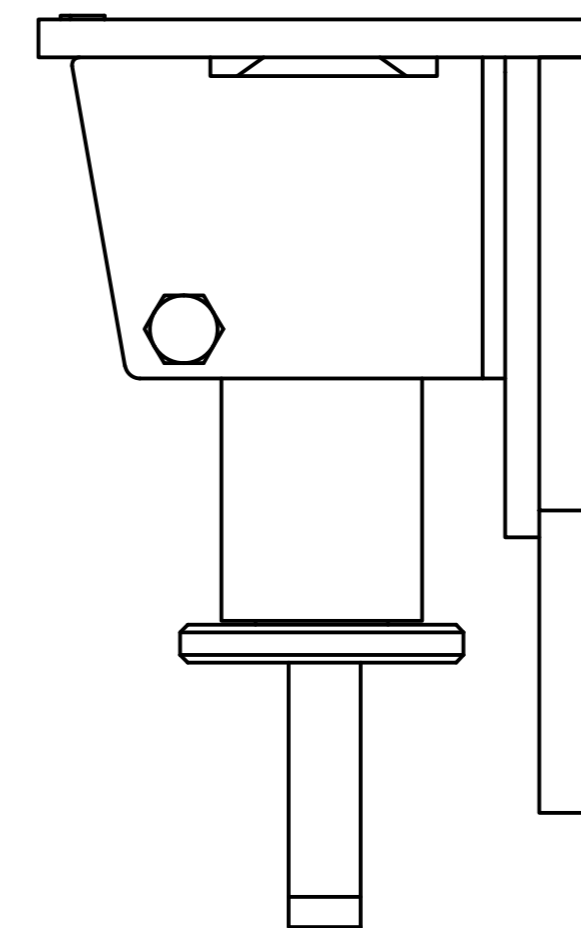
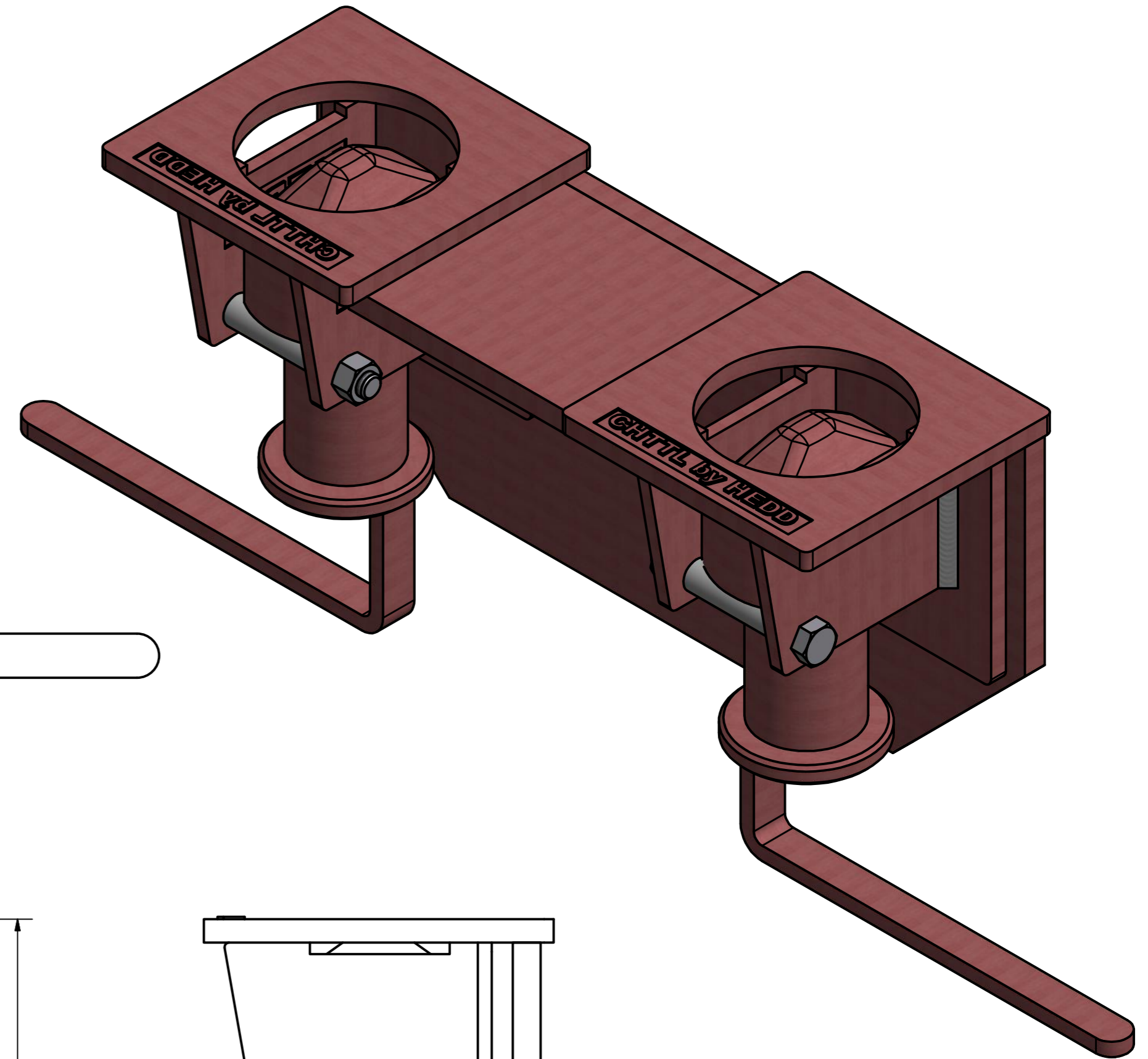
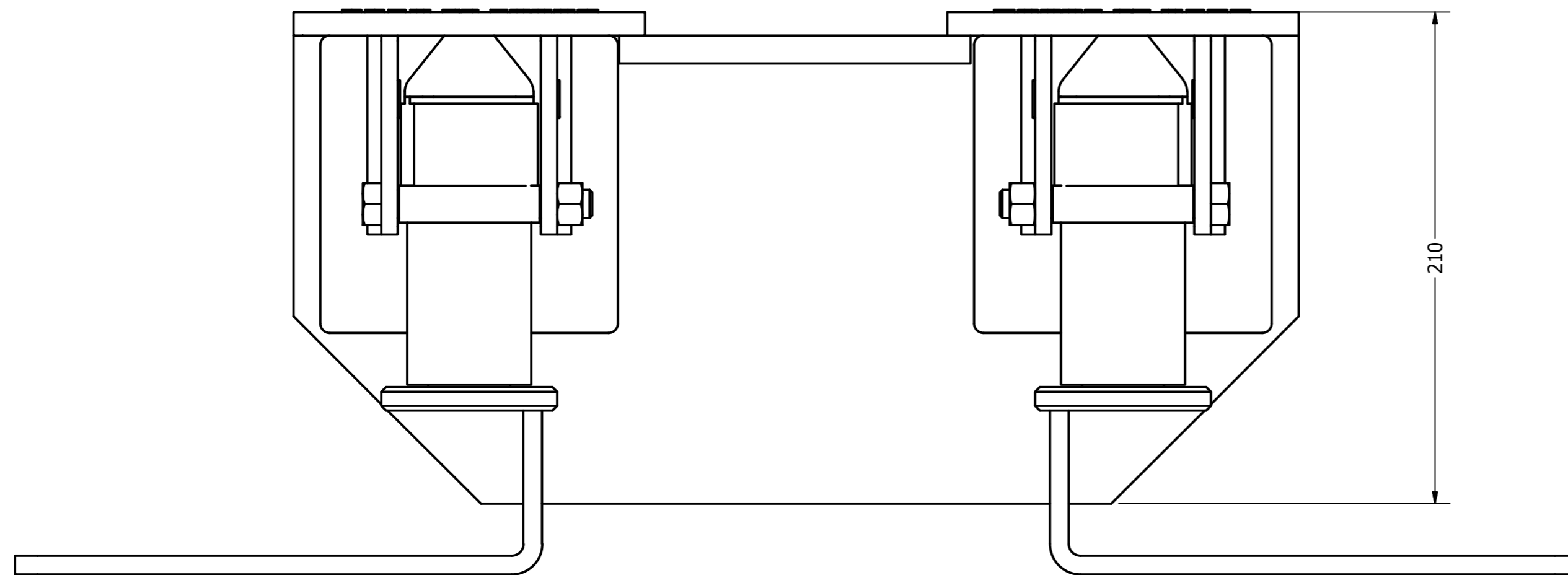
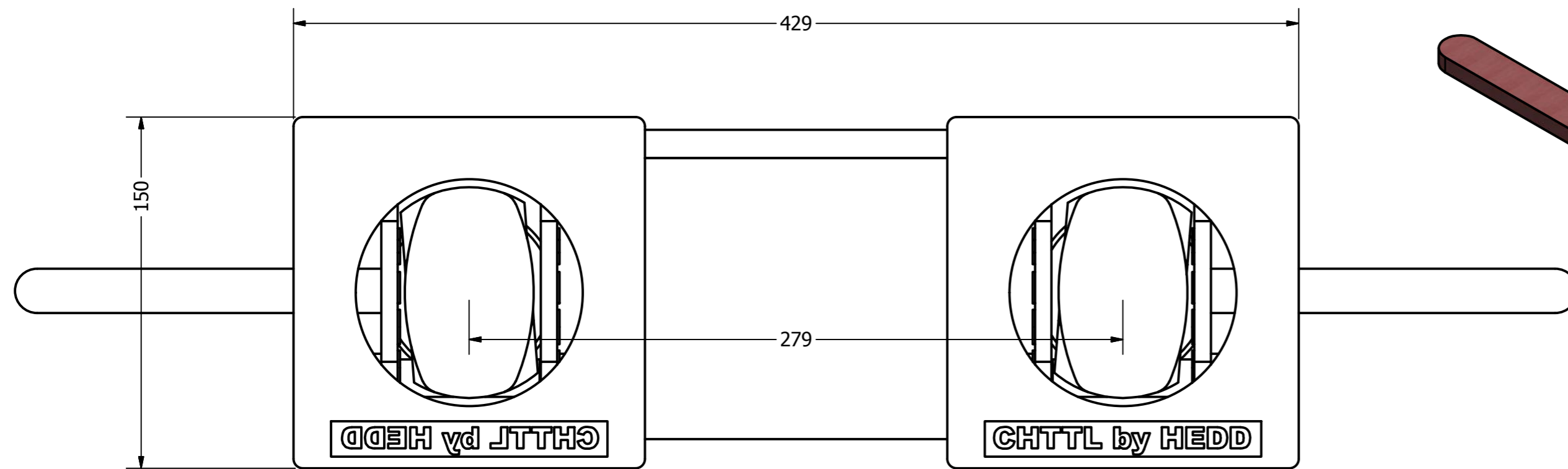


LONG HANDLE DOUBLE TRUCK AND TRAILER TWIST LOCK



SWL Tension: 250 kN
 SWL Shear: 210 kN
 MBL Tension: 500 kN
 MBL Shear: 420 kN

PHONE: 0425 276 837

DRAWN	4/12/2012	CONTAINER HOARDINGS	
User		TITLE	
CHECKED		DOUBLE TRUCK AND TRAILER TWIST LOCK Long Handle	
QA		SIZE	DWG NO
MFG		A2	Part Number CHDTTL-LH
APPROVED		SCALE	REV 01
			SHEET 1 OF 1